

Technical Product Information

1. General

Battery with safety circuit and plastic housing
 Cell: LPP503562PN
 PCM: Yes
 NTC: 10 kΩ ±3%; B-Value 3435K ±3%
 ID: 24 kΩ ±1%
 Configuration: 2P
 Weight: appr. 48g

2. Electrical Specification

Rated Capacity: 2160mAh min., 2260mAh typical
 Nominal Voltage: 3.7V
 Watt-Hour Rating: 8.4Wh
 Charging Method: Constant Current + Constant Voltage
 Max. Charge Voltage [V]: 4.20(±50mV)
 Max. Continuous Charge Current: 1080mA
 Rec. Charge Cut Off: by current 50mA or timer 4h
 Max. Continuous Discharge Current: 2000mA
 Rec. Discharge Cut Off: 3V
 Internal Impedance: approx. 110mΩ
 Exp. Cycle Life: >500 cycles >70% of initial cap. (0.5C/0.5C)

Cell Protection

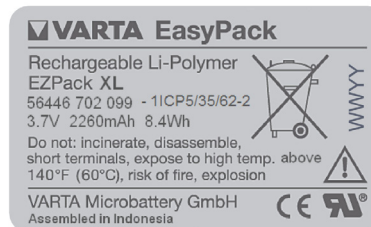
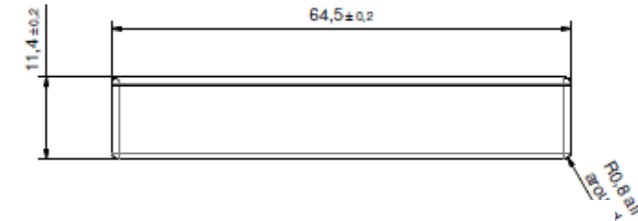
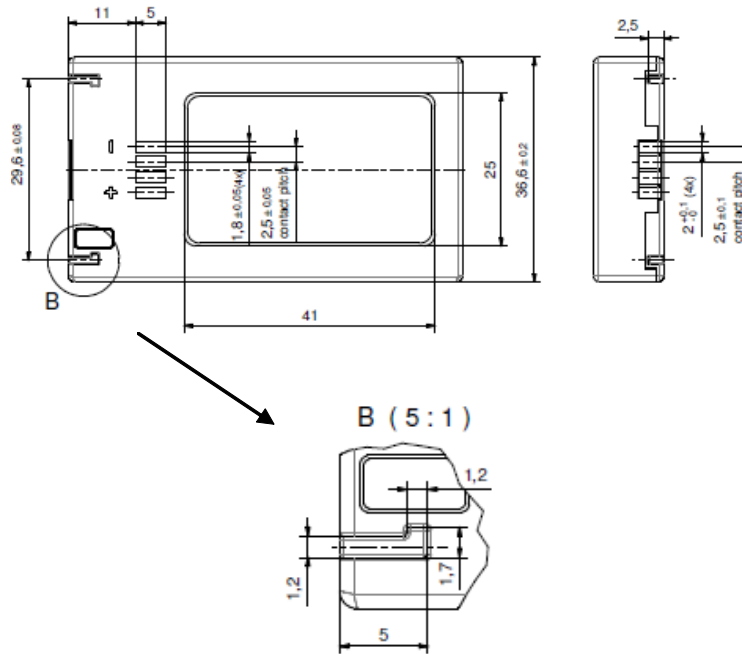
Overcharge Detection: 4.3 ± 0.02V
 (0.8 to 1.2sec. delay, resume 4.1V ± 0.03V)
 Overdischarge Detection: 2.40V ± 0.035V
 (76.8 to 115msec. delay, release Remove load & charging current)
 Overcurrent Detection: 3.2A to 5.2A (9.6 to 14.4msec. delay)

3. Ambient Conditions

Temperature Range
 • Charge: 0 to +45°C
 • Discharge: -20 to +60°C
 • Storage: Less than 1 month at at -20 to +45°C
 Less than 6 months at -20°C to +35°C
 Humidity: 65 ± 20%RH

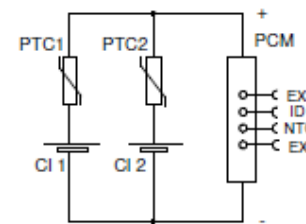
4. Environmental and Safety

Please follow VARTA Handling and Safety Precautions for Lilon & LiPolymer.
 The cell is approved according UL1642.
 This battery meets the requirements of Battery Directives and the battery parts are RoHS-Compliant.



WW - week two digits
 YY - year two digits

Protection Circuit Module



Minimum Packaging Unit: 60 pcs
 Product for OEM customers only!

2P/LPP503562PN.PCM.PC
 EZPack XL - VKB 56446 702 099

Product Information

